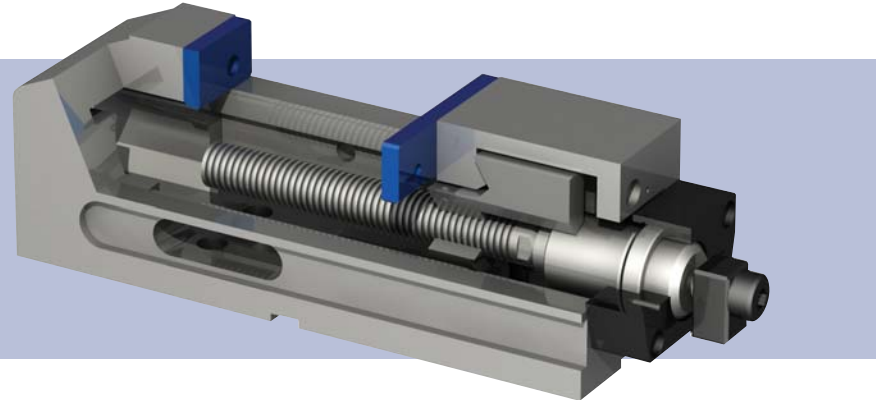


Arnold Compact Hydraulic

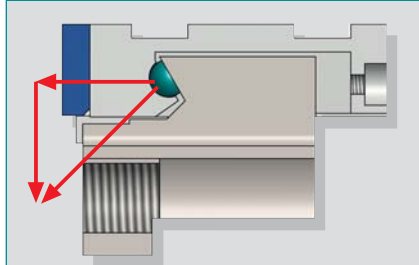
ARNOLD COMPACT hydraulic high pressure vises are ideal for use in high-volume / short cycle production environments.



- 0.01mm (0.0004") clamping repeatability.
- Ideal for use in vertical machining centers.
- Monoblock design avoids deformations due to high pressure and offers great rigidity.
- High pressure single effect hydraulic intensifier.
- Clamping force can be adjusted by changing oil pressure (see manual for details).
- Reaches maximum pressure with an input pressure of 500 bar (7,250 psi).
- Clamping force is 2.5 to 5 tons (5,500 to 11,000 lbs), depending on model.
- Rotary high-pressure connection.
- Automatically opens and closes 4 mm (0.16") for easy loading and unloading (can be increased if specifically requested).

- Side openings for easy chip removal.

Pull-down Semi-sphere



The ARNOLD COMPACT has a descending clamp system to avoid jaw-lift. A semi-sphere installed between the moveable jaw and the spindle shoe creates downward pressure.

- Pressure to these vises is supplied by an external hydraulic unit which allows easier loading and unloading when holding large work-pieces across several vises.
- Therefore, they are capable of correcting buckling defects on large work-pieces, avoiding vibrations on the corners

APPLICATION



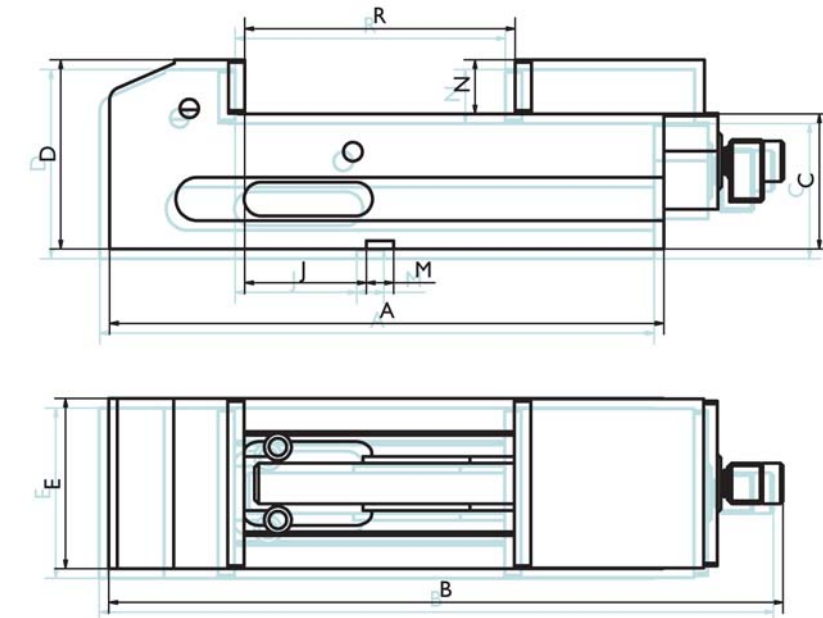
OPERATION

- Manually position the moveable jaw to about 2 to 3 mm (0.08 to 0.12") from the work piece to allow positive contact and easy part loading and unloading.
- Ideal for machining large series of work-pieces.

Elements needed for the operation not supplied with the vice

- Hydraulic pressure of 500 bar (7,250 psi)
- Connection hoses.
- Pressure switch.
- Pressure gauge.
- Safety valve integrated into the unit
- ON – OFF Button.

Size	090	125	160
Arnold Compact hydraulic vise	030 140 090	030 140 125	030 140 160
Clamping force (kg / lbs)	2500 / 5500	4000 / 8800	5000 / 11000
A (mm / inches)	304 / 11.97	414 / 16.30	574 / 22.60
B (mm / inches)	389 / 15.31	492 / 19.37	652 / 25.67
C-0.02 (mm / inches)	75 / 2.95	100 / 3.94	110 / 4.33
D (mm / inches)	115 / 4.53	140 / 5.51	160 / 6.30
E (mm / inches)	90 / 3.54	125 / 4.92	160 / 6.30
J (mm / inches)	40 / 1.57	90 / 3.54	115 / 4.53
M H7 (mm / inches)	20 / .079	20 / 0.79	20 / 0.79
N (mm / inches)	40 / 1.57	40 / 1.57	50 / 1.97
R (mm / inches)	0-135 / 0-5.31	0-200 / 0-7.87	0-314 / 0-12.36
Weight (kg / lbs)	16 / 35	35 / 77	70 / 154



Supplied with

- base body
- hydraulic spindle
- rotary connection
- 1 set of plain jaws
- 1 handle
- 4 toe clamps
- instruction manual

